

# Atomizing Nozzles



## F-80

The F-80 Hollow Cone Nozzles produce the finest possible breakup with direct pressure operation. No air or steam is required as the atomizing medium. While higher pressures produce finer droplet sizes, these Nozzles will operate satisfactorily on water at pressures of 40 PSI or more.

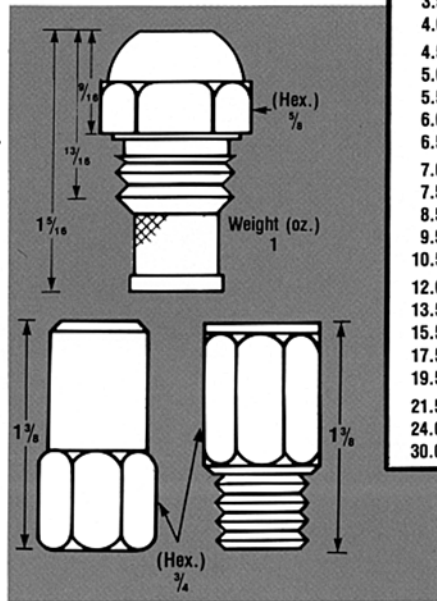
These nozzles are equipped with a  $\frac{9}{16}$ "-24" machine thread for mounting in either single (see below) or multiple adaptors (page 17).

**Material:** Brass and 416 Stainless Steel with 120 mesh Monel screen strainers. Also available in 303, 304 and 316\*.

**Spray Angles:** 45°, 60°, 80°. Sizes #3.0 to #9.5 available in 120°. All ratings are at 40 PSI.

**Adaptors:** Brass or 416 Stainless Steel.  $\frac{1}{8}$ " or  $\frac{1}{4}$ " male or female NPT connections in Brass. Female NPT only in 416 Stainless Steel.

\* Size #3.00 or larger



F-80 Capacities: Gallons Per Hour							
Nozzle No.	Operating Pressure: Lbs. Per Square Inch						Min. Oper. Pressure (PSI)
	25	40	60	80	100	200	
.75		.40	.50	.60	.65	.90	40
1.00		.45	.60	.65	.75	1.05	40
1.25		.50	.65	.75	.85	1.20	40
1.35		.55	.70	.80	.90	1.25	40
1.65		.75	.90	1.05	1.20	1.70	40
2.00		.95	1.15	1.30	1.50	2.10	35
2.50		1.15	1.40	1.60	1.80	2.55	30
3.00	1.00	1.25	1.55	1.80	2.00	2.85	25
3.50	1.30	1.65	2.00	2.30	2.60	3.65	25
4.00	1.50	1.90	2.35	2.70	3.00	4.25	20
4.50	1.90	2.40	2.95	3.40	3.80	5.40	20
5.00	2.20	2.80	3.40	3.95	4.40	6.20	20
5.50	2.40	3.05	3.70	4.30	4.80	6.80	15
6.00	2.60	3.30	4.05	4.65	5.30	7.50	15
6.50	2.80	3.55	4.35	5.00	5.60	7.90	15
7.00	3.00	3.80	4.65	5.35	6.00	8.50	15
7.50	3.20	4.05	4.95	5.75	6.40	9.05	10
8.50	3.50	4.45	5.40	6.25	7.00	9.90	10
9.50	3.80	4.80	5.90	6.80	7.60	10.75	10
10.50	4.10	5.20	6.35	7.35	8.20	11.60	10
12.00	4.80	6.05	7.45	8.60	9.60	13.60	10
13.50	5.45	6.90	8.45	9.75	10.90	15.40	10
15.50	6.35	8.00	9.85	11.40	12.70	18.00	10
17.50	7.2	9.1	11.2	12.9	14.4	20.4	10
19.50	8.8	11.1	13.6	15.7	17.6	24.9	10
21.50	10.5	13.3	16.3	18.8	21.0	29.7	10
24.00	11.8	14.9	18.3	21.2	23.6	33.3	10
30.00	15.0	19.0	23.2	26.9	30.0	42.4	10

## MIDGET

The "M" or "Midget" series was developed to meet the requirement for a very small, efficient, low cost Nozzle. They are particularly effective for applications where mounting space is limited. Both models produce a very fine break-up, but with the MW being somewhat coarser than the M. Both are supplied standard with removable 80 mesh Monel screen strainers for easy cleaning.

The "M" Nozzles are ideal for Agricultural and Industrial applications requiring low gallonage mist-like breakup of water. They are frequently used for humidification or moistening in greenhouses as well as mist cooling for hogs and poultry.



The "MW" with a 90°-160° spray angle, has many Industrial applications where maximum possible coverage is desired in low volume. They have proven quite effective for mist propagation of seedlings in greenhouses.

**Material:** Both models, all Brass. "M" only also available in Plastic.

**Spray Angles:** "M": 80°; "MW": 90°, 120°, 160°.

**Pipe Connection:**  $\frac{1}{8}$ " NPT male.

Midget Capacities: Gallons Per Hour							
Nozzle No.	Operating Pressures-Pounds Per Square Inch						
	25	30	40	60	80	100	
M-0.5	—	—	—	—	.45	.50	
M-1	—	—	.63	.78	.90	1.00	
M-2	1.00	1.10	1.30	1.50	1.80	2.00	
M-3	1.50	1.60	1.90	2.30	2.70	3.00	
M-5	2.50	2.70	3.20	3.90	4.50	5.00	
MW-B	2.30	2.50	2.90	3.50	4.10	4.60	
MW-C	3.20	3.50	4.10	4.90	5.70	6.40	
MW-D	5.00	5.50	6.30	7.70	8.90	10.00	
MW-E	7.20	8.00	9.20	11.20	13.00	14.50	

